

# Directional valve 2-way/2-position

$Q_{max} = 40 \text{ l/min}$ ,  $p_{max} = 315 \text{ bar}$

direct acting, poppet type, mechanical operation

Type series: W1T.../ W1W... (installation shallow)



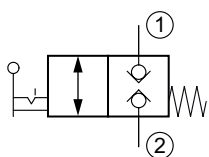
- Slip-in cartridge valve
- For cavity AA
- All external parts with zinc-nickel plating according to DIN EN ISO 19598
- Guided valve spool and poppet
- With bidirectional seat-valve shut-off
- Closed in the non-operated condition

## Description

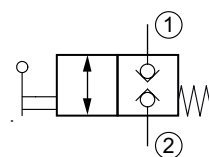
The 2-way/2-position solenoid-operated directional seat valves, series W1T... / W1W... (installation shallow), are size 6, direct acting, and pressure balanced screw-in valves. They are designed on the tried and tested principle of the guided poppet, the guide spool has a seal, and they are virtually leak-free in both directions of flow (bidirectional seat-valve shut-off). This type is the "shallow" installation version, which fits into the cavity type according to the AA factory standard. For the "deep" installation version, see separate data sheet. The hand lever can be turned through 360° and is available as a "detentable" (W1T...) or "non-detenta-

ble" (W1W...) model. All external parts of the cartridge are zinc-nickel plated, and are thus suitable for use in the harshest operating environments. The slip-on coils can be replaced without opening the hydraulic envelope and can be positioned at any angle through 360°. These valves are predominantly used in certain mobile and industrial applications where leak-tight shut-off functions are crucially important. Examples are where loads, tensions, or clamping forces must be held without leakage. For self-assembly, please refer to the section related data sheets.

## Symbol



W1T...



W1W...

## Technical data

General characteristics	Description, value, unit
Function group	Directional valve
Function	2-way/2-position
Design	Slip-in cartridge valve
Controls	mechanical operation
Characteristic	direct acting, poppet type
Construction size	nominal size 6
Mounting attitude	unrestricted
Weight	0.45 kg
Cavity acc. factory standard	For cavity AA
Tightening torque steel	5.2 Nm
Tightening torque aluminium	5.2 Nm
Tightening torque tolerance	± 5 %
Minimum ambient temperature	- 25 °C
Maximum ambient temperature	+ 80 °C
Surface protection	All external parts with zinc-nickel plating according to DIN EN ISO 19598
Sealing material	see ordering code
Seal kit order number	NBR: DS-387-N / FKM: DS-387-V

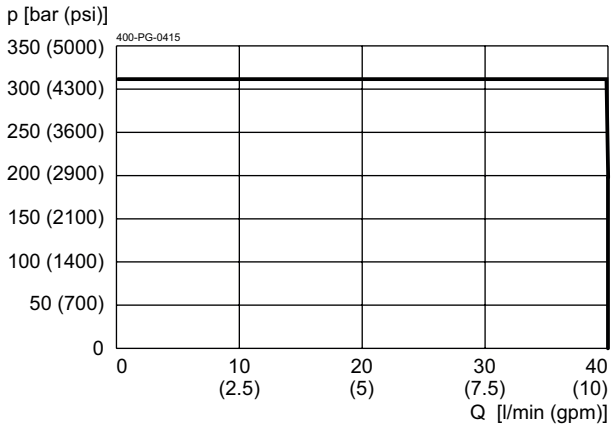
Hydraulic characteristics	Description, value, unit
Maximum operating pressure	315 bar
Maximum flow rate	40 l/min
Flow direction	see symbol
Hydraulic fluid	HL and HLP mineral oil according to DIN 51 524; other fluids on request!
Minimum fluid temperature	- 25 °C
Maximum fluid temperature	+ 80 °C
Viscosity range	10 ... 500 mm <sup>2</sup> /s (cSt)
Recommended viscosity range	15 ... 250 mm <sup>2</sup> /s (cSt)
Minimum fluid cleanliness (cleanliness class according to ISO 4406:1999)	class 20/18/15

Mechanical characteristics	Description, value, unit
Execution	with hand lever, can be turned through 360°
Actuation angle	15 °

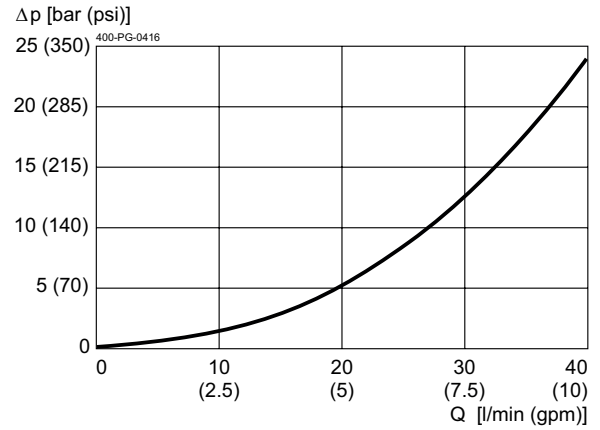
Performance graphs

measured with oil viscosity 33.0 mm<sup>2</sup>/s (cSt)

$p = f(Q)$  Performance limit

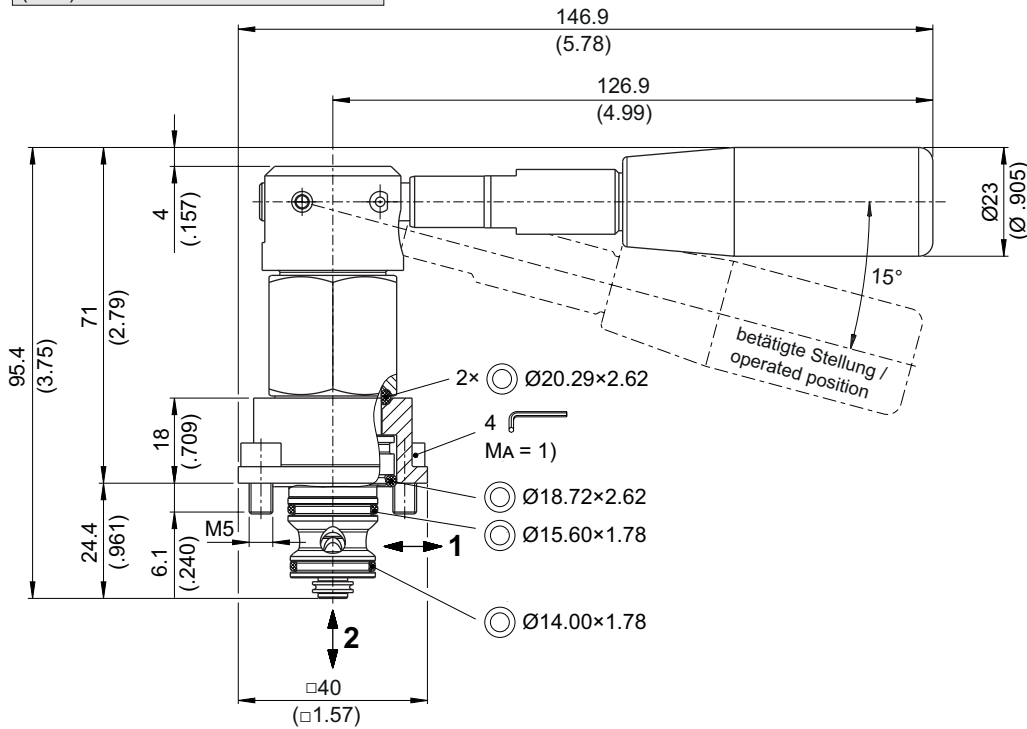


$\Delta p = f(Q)$  Pressure drop-flow rate characteristic



Dimensions and sectional view

**Beispiel für die Masseinheit:**  
**Example for the dimensional units:**  
0.79 = 0.79 mm millimeter  
(.031) = 0.031" inch



Installation information



**ATTENTION!**

Only qualified personnel with mechanical skills may carry out any maintenance work. Generally, the only work that should ever be undertaken is to check, and possibly replace, the seals. When changing seals, oil or grease the new seals thoroughly before fitting them.



**NOTE!**

1) When fitting the slip-in valves, use the specified tightening torque for the mounting screws. The value can be found in the chapter "Technical data".



**NOTE!**

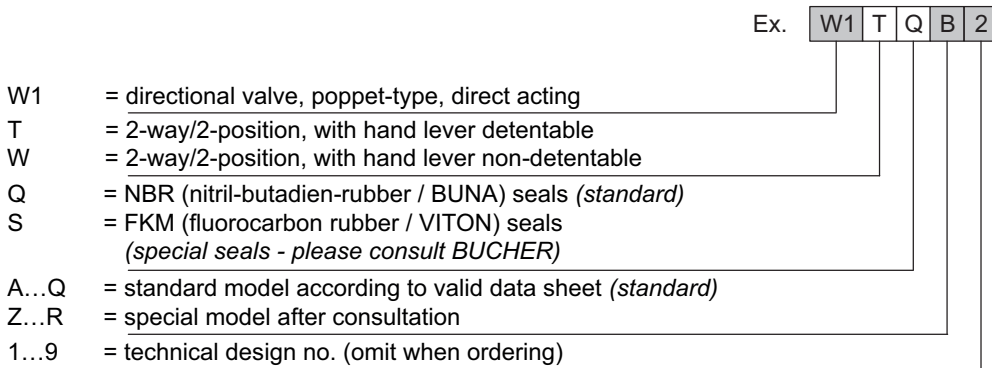
These valves can also be fitted in the cavity AC according to factory standard, and in such cases port 3 then has the same function as port 2.



**IMPORTANT!**

A "non-operated open" function can be created by using the 3/2 cartridge seat valve and the GADA line-mounting body. In this case, ports 2 and 3 are used. Port 1 is plugged.

## Ordering code



## Related data sheets

Reference	Description
400-P-040011	Form tools
400-P-040101	Cavity AA